

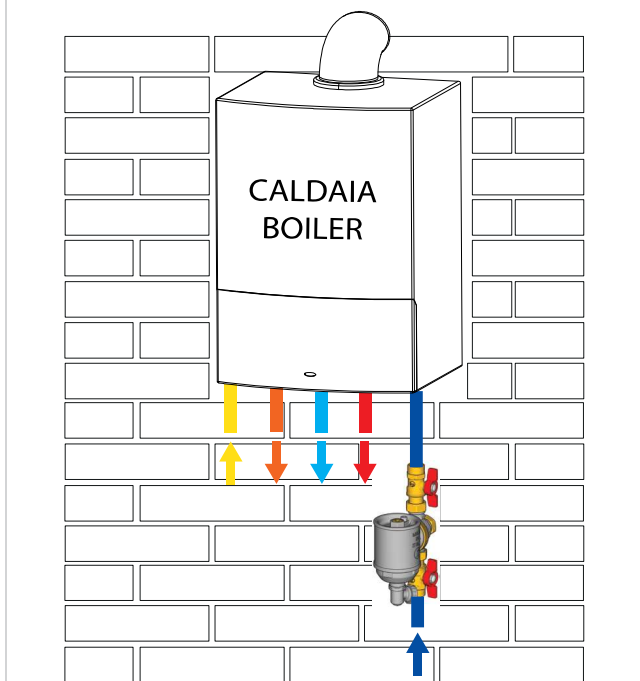
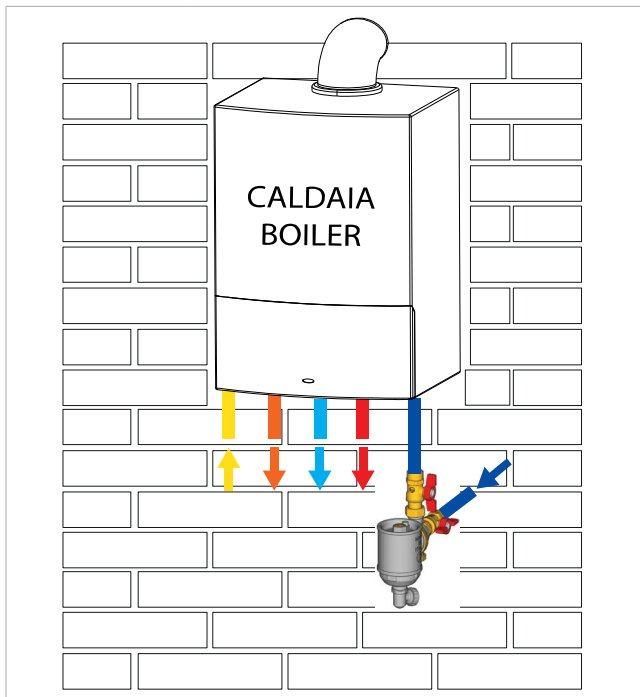
Installation

In order to protect the boiler from the impurities in the pipes, the R146C dirt separator must be installed on the heating return circuit.

Its compact size enables to install it right under a wall-mount boiler.

Leave a free space on the upper side of the separator, at least 50 mm, to easily remove the magnet.

Note.
To facilitate maintenance operations, it is recommended to install a shut-off valve upstream and downstream of the R146C dirt separator.



Legend

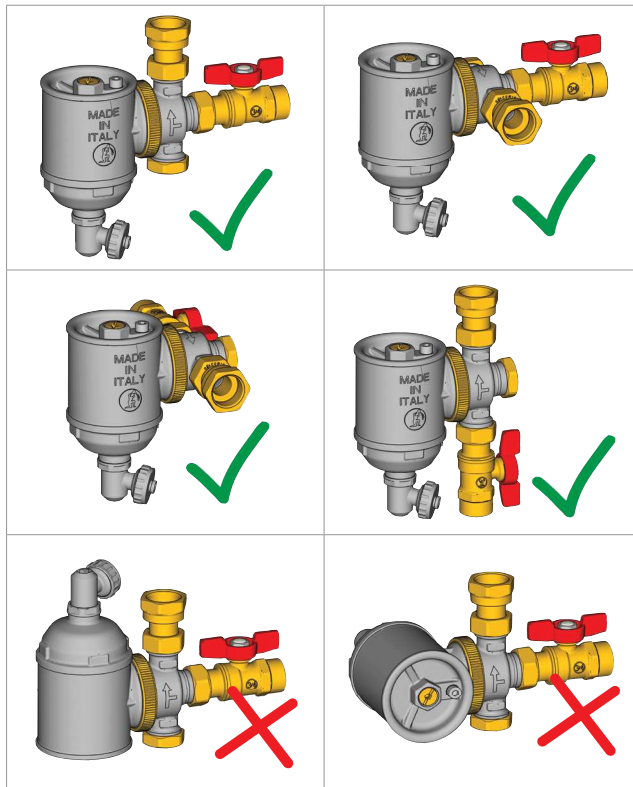
	Heating system return
	Heating system delivery
	Sanitary cold water
	Sanitary hot water
	Gas supply

Loosen the ring nut (ref. 7 - Components) to adjust the orientation of the water outlet/inlet fitting (ref. 8 - Components), place the fitting in the desired position and tight the ring nut.

Screw the 3/4" F plug, included with the dirt separator, on the unused inlet.

The main body should always be in vertical position with the drain facing down.

To drain the impurities decanted on the bottom of the separator it is possible to open the adjustable drain tap (ref. 4 - Components).



Warning.

The dirt separator is equipped with a magnet that causes magnetic fields, which may damage electronic devices (pacemakers included) near the circuit.

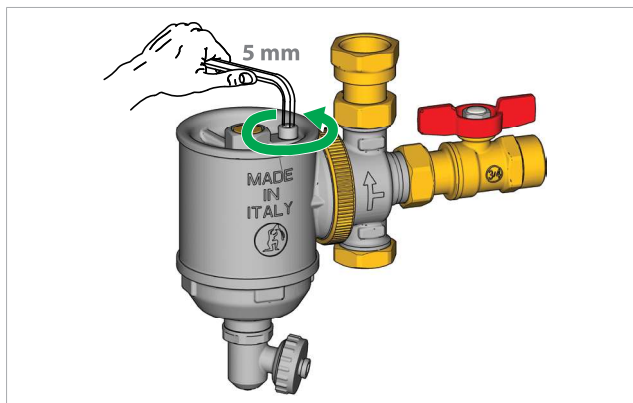


Air vent screw

On top of the dirt separator is a screw to vent air from the system during first operation (ref. 6 - Components).

Release the air by turning the screw in anticlockwise direction with a 5 mm Allen spanner.

Tighten the screw clockwise once the air has been removed.



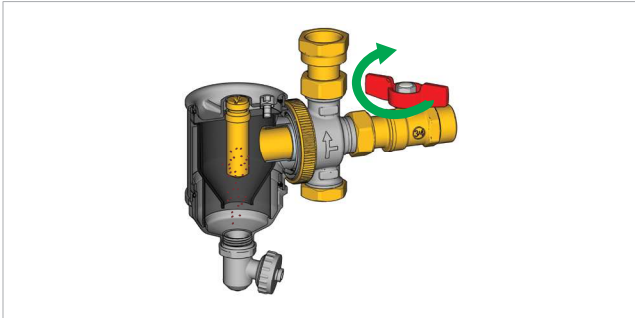
Maintenance

How to clean the dirt separator

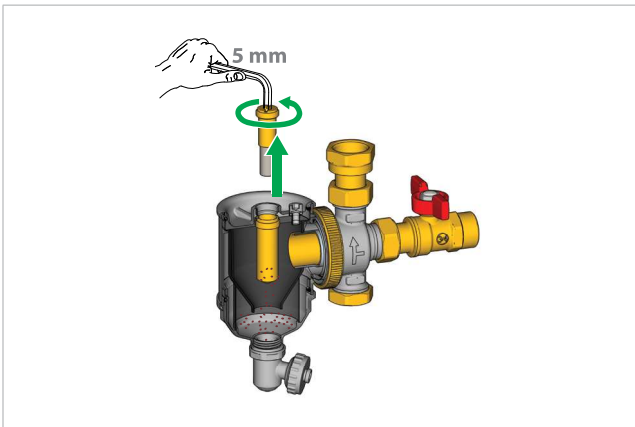
During system operation, impurities collect on the surface of the magnet housing and on the bottom of the dirt separator. The dirt separator requires no disassembling and shutting off to be cleaned; however we recommend carrying out these operations with no flow inside the dirt separator.

To clean the separator and remove impurities, follow the steps below:

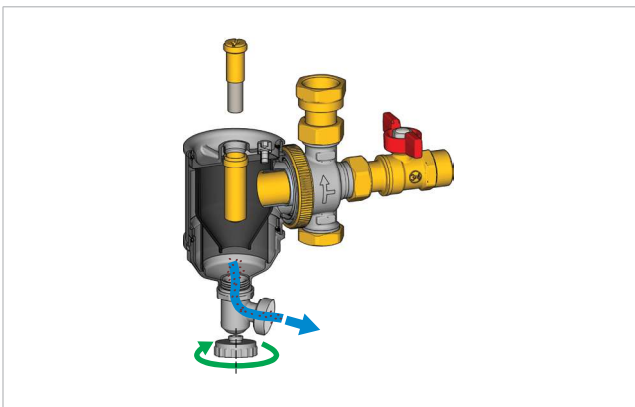
- 1) Shut off the interception ball valve.



- 2) Pull out the magnet from its housing by unscrewing it in counter-clockwise direction with a 5 mm Allen spanner. The impurities collected on the housing surface will deposit on the bottom of the separator.



- 3) After a few minutes, take the plug from the drain tap, and place it on the bottom of the tap, then rotate counter-clockwise to open the drain tap and discharge the impurities in the dirt separator.

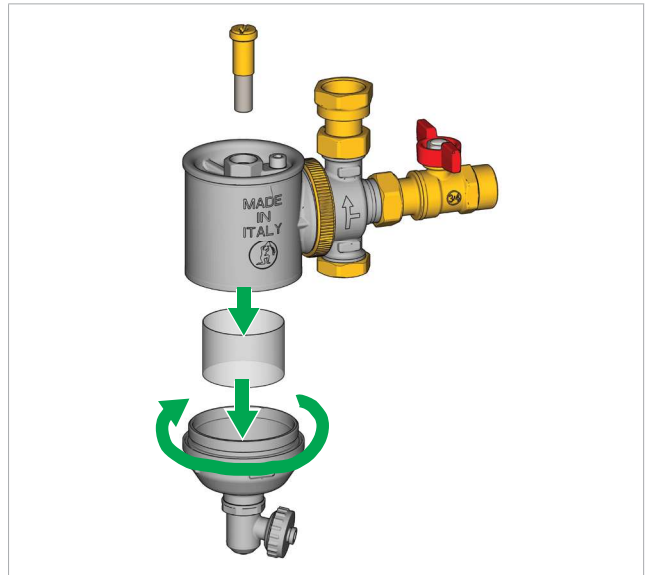


- 4) Once the impurities have been removed, close the drain tap and reinsert the magnet in its housing, screwing it in counter-clockwise direction. The separator will start working normally.

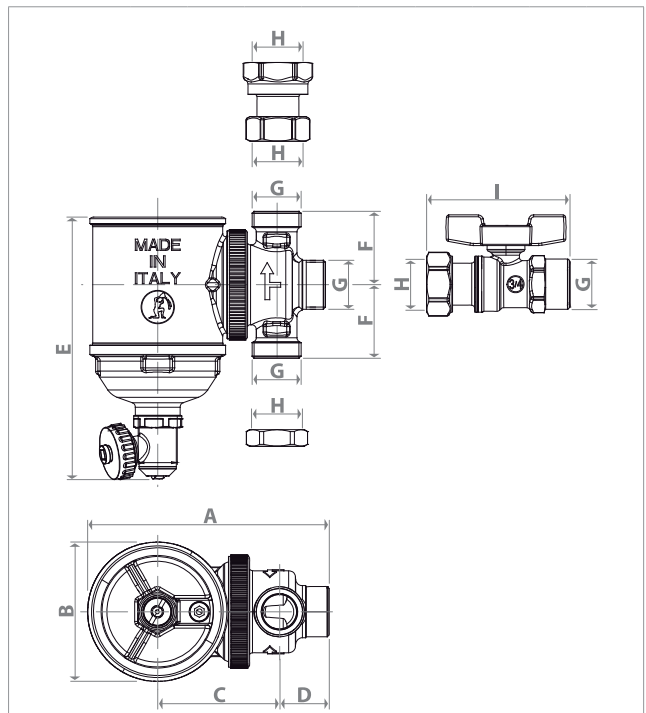
Removing the filter

For a more thorough cleansing, proceed as follows:

- 1) Turn off the system and intercept the fluid with ball valves, upstream and downstream of the separator to prevent water from flowing inside the dirt separator.
- 2) Unscrew the dirt separator base in counter-clockwise direction.
- 3) Remove the filter from the dirt separator to clean it.
- 4) Fit the filter back in and screw the separator back on its base.



Dimensions



Product code	A [mm]	B [mm]	C [mm]	D [mm]	E [mm]	F [mm]	G [mm]	H [mm]	I [mm]
R146CX004	126,5	73	64	26	141	39,5	3/4" M	3/4" F	75

Additional information

For additional information please check the website www.giacomini.com or contact the technical service: ☎ +39 0322 923372 📠 +39 0322 923255 ✉ consulenza.prodotti@giacomini.com
 This pamphlet is merely for information purposes. Giacomini S.p.A. retains the right to make modifications for technical or commercial reasons, without prior notice, to the items described in this pamphlet. The information described in this technical pamphlet does not exempt the user from following carefully the existing regulations and norms on good workmanship.
 Giacomini S.p.A. Via per Alzo, 39 - 28017 San Maurizio d'Opaglio (NO) Italy